

# PDL-20

## Portable Laser Data Collector



- Integrated laser scan function
- Convenient one-handed operation
- Ergonomic, modern cellular phone styling
- Built-in 96-character LCD
- 2MB internal memory
- Flexible communication cradle of USB or RS-232
- Extendable battery life of up to 100 working hours of scanning
- PC-based task generator for customized applications

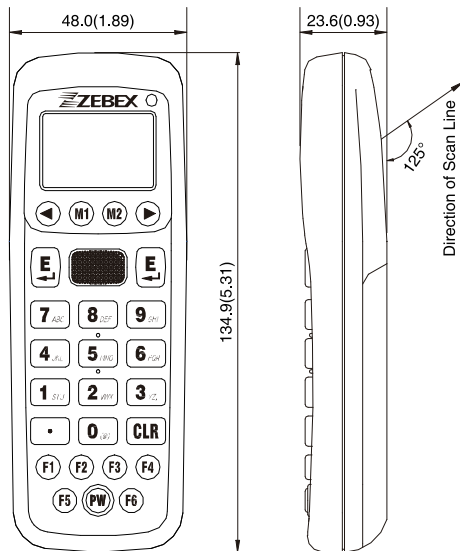
◀ Actual size



⚠ Product availability and specifications depend on territory market strategy; all are subjects to change without prior notice.  
ZEBEX is the trademark of ZEBEX INDUSTRIES INC., all rights reserved.

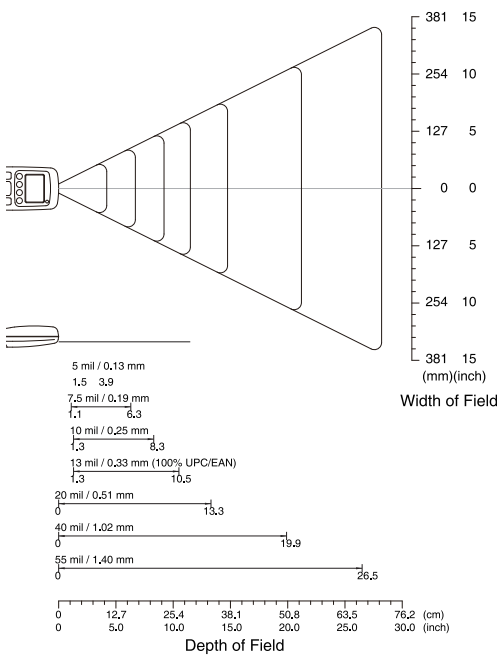
**ZEBEX**  
www.zebex.com

**[Dimensions]**



Unit: mm(inch)

**[Scan Field]**



**[Specifications]**

SYSTEM	
CPU	8-bit C-MOS microprocessor
RAM	2MB
F-ROM	128KB
Display (LCD)	FSTN, 96x49 dots graphic backlight LCD (6x16 characters)
Keypads	Total 26-key for alpha/numeric input and system control
Indicators (LED)	Two-color LED (green & red)
Beeper Operation	Programmable tone & beep time
Interface	RS-232
POWER	
Main Battery	3.7V, 830 mAh, Li-Ion rechargeable battery
Backup Battery	3.0V, 25 mAh, Li-Ion rechargeable battery
Battery Life	100 hours at 12 scans per minute
INPUT DEVICE	
Barcode	1D laser scanner: • Light source: 650 nm visible laser diode (VLD) • Scan rate: 100 scans per second • Print contrast: 30% @ UPC/EAN 100% • Depth of field: 20 – 670 mm
PHYSICAL	
Dimensions	(L)134.9 × (W)23.6 × (H)48.0 mm
Weight	123 g (battery included)
ENVIRONMENTAL	
Operating Temperature	0°C – 50°C (32°F – 122°F)
Storage Temperature	-10°C – 60°C (14°F – 140°F)
Operating Humidity	10% – 70% RH (non-condensing)
Storage Humidity	5% – 70% RH (non-condensing)
Drop Durability	Designed to withstand 1.0M drops
Light Levels	Max. 4,500 Lux (fluorescence)
REGULATORY	
EMC	CE & FCC Part 15B, 15C
SOFTWARE & DEVELOPMENT	
(a) Built-in free task; (b) Support the TaskGen software; (c) Application generator and SDK support	

**[Model Selections]**

Model	Scanner	WLAN	Bluetooth®
PDL-20	1D laser	—	—

**[Accessories]**

- Cradle (RS-232 or USB cable for communication and charging)
- RS-232 communication cable for device to PC
- Standard battery pack
- AC adaptor DC 9V, 1A
- Neck strap & holster

